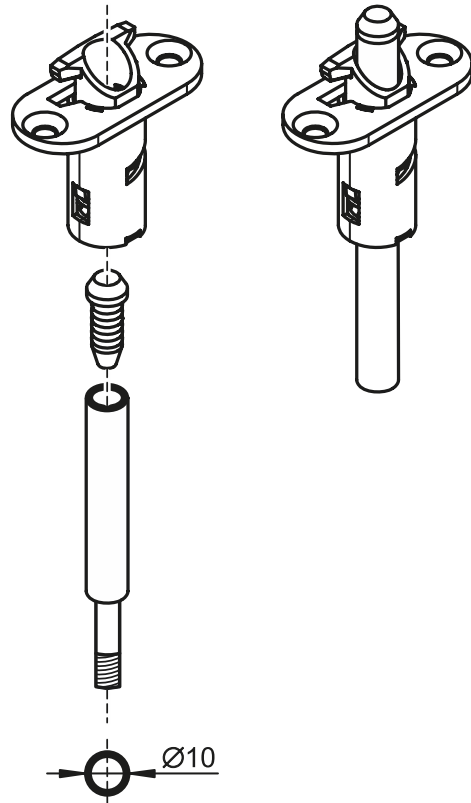
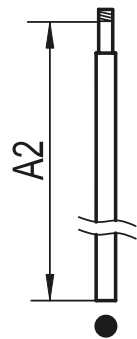
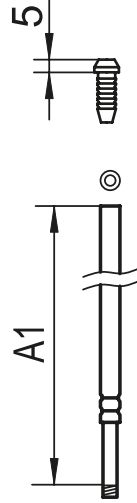
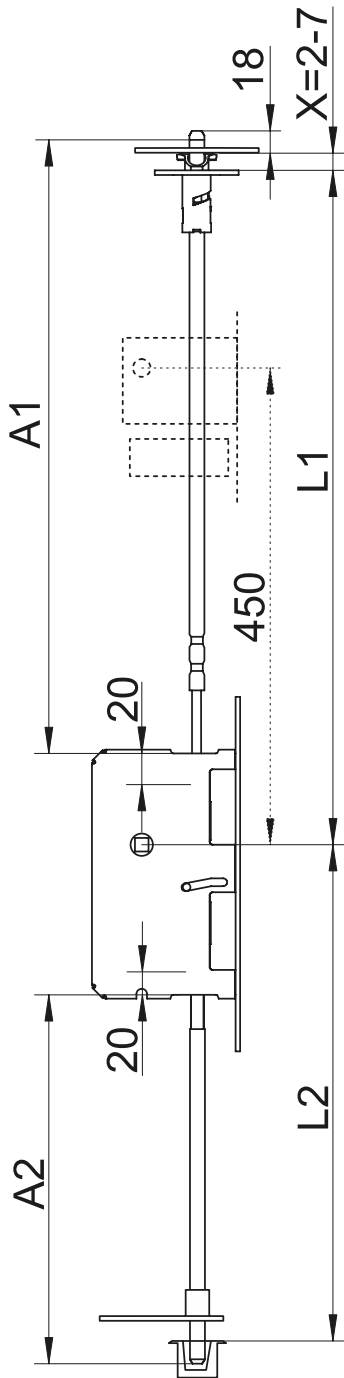
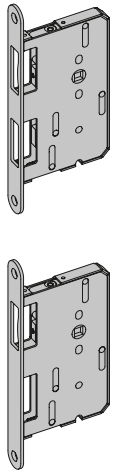


VA2390 juhend



$A1 = L1 - 46 + X \text{ mm}$
 $[A1 = L1 - 54 + X \text{ mm} - B 2392/97]$
 $A2 = L2 - 88 \text{ mm}$

