



VALNES VIDEO DOOR ENTRY SYSTEM EL.DK16

Stylish video door entry system

Valnes video door entry system EL.DK16 is suitable for use in single-family detached homes and smaller offices. Video door entry system allows to open the main door or gate (requires an electric lock or a sticker plate). The kit includes a colour video monitor and a stylish only 9 cm width outdoor panel with a rain cover. Valnes video door entry system makes the door opening for guests more comfortable and secure. In addition, it is very easy to install the device, it only needs a twisted pair cabling.

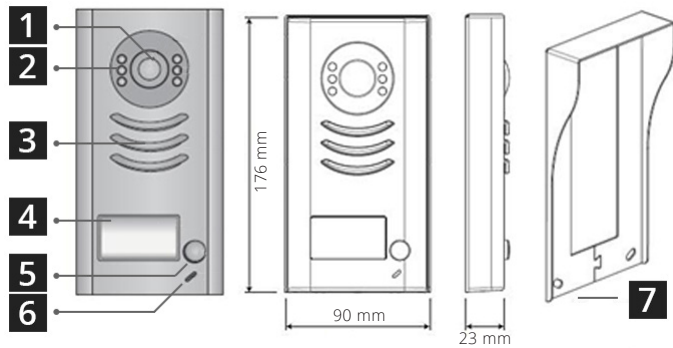
KIT

- Outdoor panel with camera and a rain cover
- 3.5 inch color LCD monitor
- Power supply
- Signal transformer

FUNCTION

- Opening of the front door or gate
- Camera's angle is adjustable
- Possibility to connect multiple indoor monitors
- 12 ringtones for choose freely
- Possibility of internal calls
- Adjustable display brightness and ringer volumes

Outdoor panel

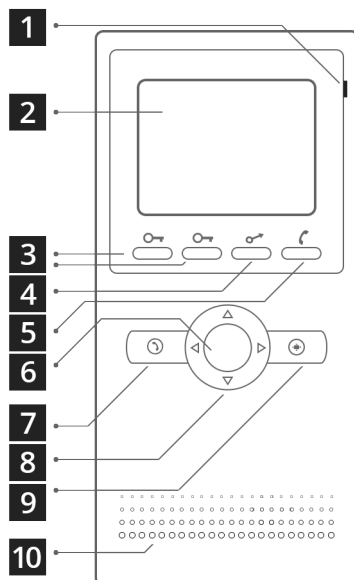


- | | |
|-------------------------|----------------------|
| 1 Camera lens | 5 Call button |
| 2 Night view LED | 6 Microphone |
| 3 Speaker | 7 Rainy cover |
| 4 Nameplate | |

TECHNICAL DATA

- Power supply: DC 12 V, 300 mA
- Power consumption: standby 1 W, working status 12 W
- Unlocking time: 1-9 s
- Temperature: -10 ...+45 °C

Indoor monitor



- | |
|---------------------------------|
| 1 Microphone |
| 2 LCD screen |
| 3 Unlock buttons |
| 4 Staircase light button |
| 5 Call button |
| 6 Menu button |
| 7 Talk button |
| 8 Navigation button |
| 9 Monitor button |
| 10 Speaker |

TECHNICAL DATA

- Power supply: DC 24 V
- Power consumption: standby 2 W, working status 5 W
- Display device: 3,5 inch digital TFT screen
- Resolution: 320 x 240 pixels, RGB
- Video signal: 1 Vp-p, 75 Ω, CCIR standard
- Cabling: only needs a twisted pair cabling
- Dimension: 220(H) x 105(W) x 20(D) mm