

VALNES MAGNETIC LOCK WITH KEYHOLE E4101_50BB_CS

90 MM, 18 MM FRONT



Remarkably quiet lock

Description

Magnetic flush-mounted lock with grey polyamide reversible latch, with finish satin chrome. The key blocks the latch also functioning as bolt but leaving the handle free to go down. The lock features no protuberances on the forend, thanks to the latch is entirely retracted into the casing. Steel front (18 mm) with rounded edge, 50,5 mm backset (can also be ordered 35,5 and 60,5 mm backset). Centre, 90 mm.

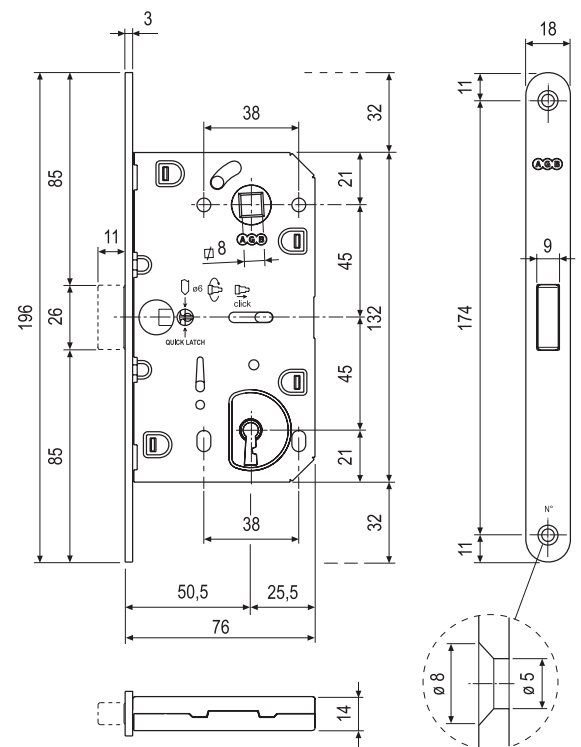
Steel lock case with trough screw-holes for handle assembly. Latch can be retracted also with key.

Application

The symmetrical, magnetic latch makes the lock right/left handed.

Mounting

Cut a slot and include a milled component on the panel (dimensions in drawing). Fix the lock with two screws (3,5 x 20 mm).





VALNES ADJUSTABLE STRIKER E1402_90CS

Valnes adjustable striker E1402_90CS

Description

Adjustable steel striker with rounded edge, width 22 mm, length 82 mm. Can be adjusted under pressure (up to 1,5 mm) by turning the tray 180° and, turning also the plate, it is possible to reach 2,9 mm of total adjustment adjustment.

Mounting

Apply a milled component to the frame (dimensions in drawing). For mounting, use two screws (3,5x20 mm).

