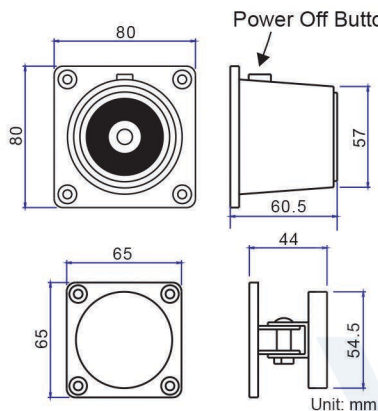
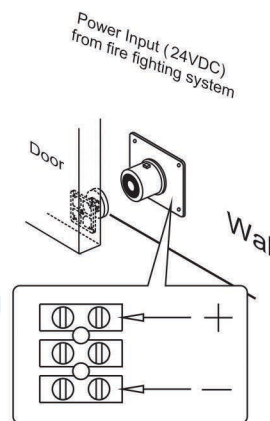


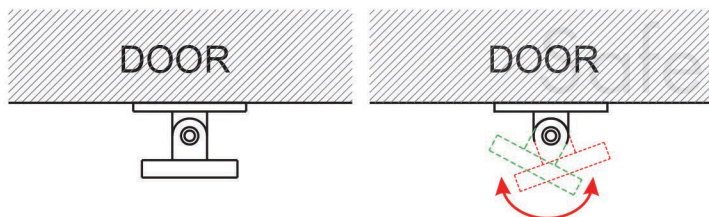
VALDH1024 Wall Mount



Operating Voltage: 24VDC
Current Draw: 60mA/24VDC
Power off button: Release holding force
Holding Force: 350 N
Anti-Residual Magnetism function
White Powder Coated



Note



Adjust the direction of armature plate to allow tightly closing status.