

MOUNTING INSTRUCTIONS FOR DOOR COORDINATOR VAL30DK-850GR

1. Mark the position of the coordinator on the top of the frame (or on the additional profile)
The coordinator is fitted so that the passive door-leaf can pass the active door-leaf which is topped by the coordinator.

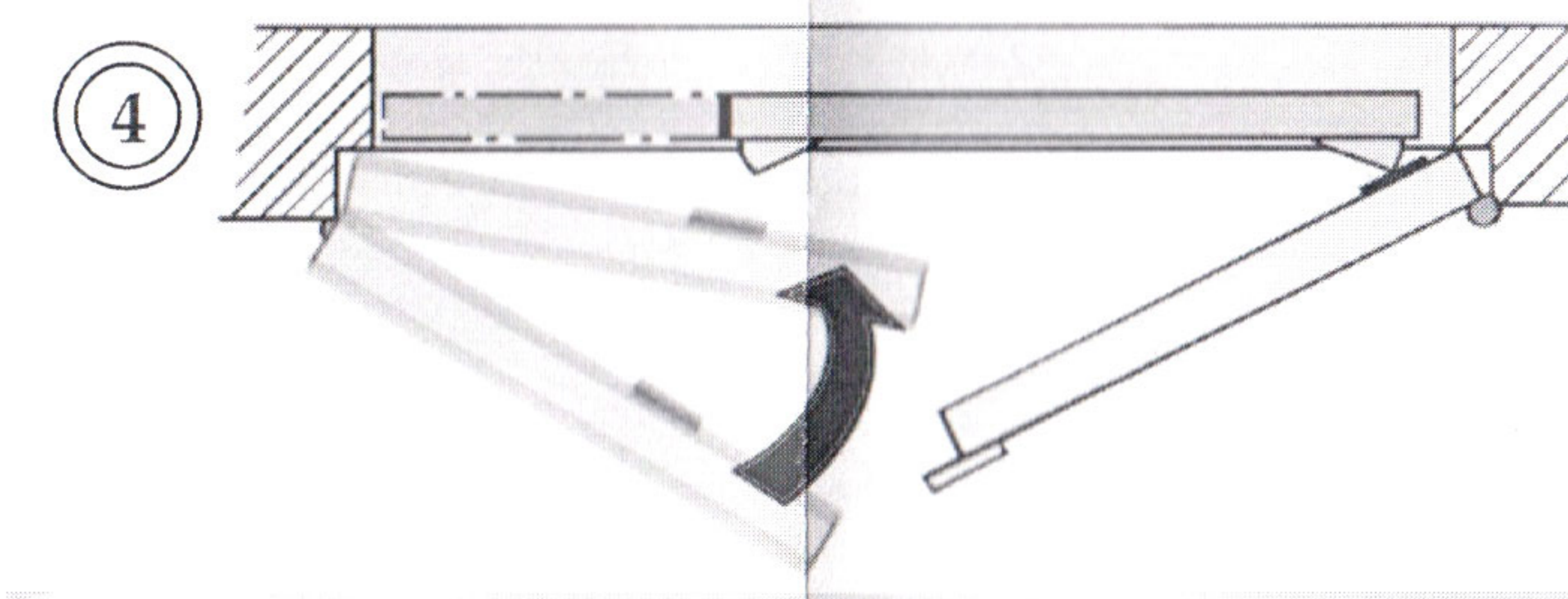
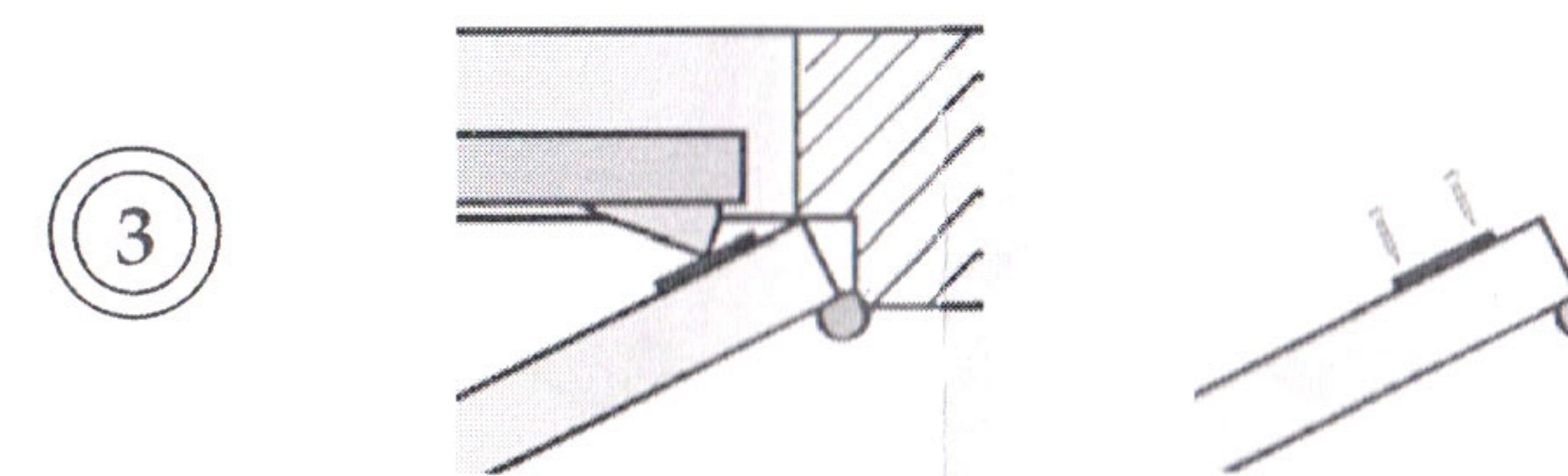
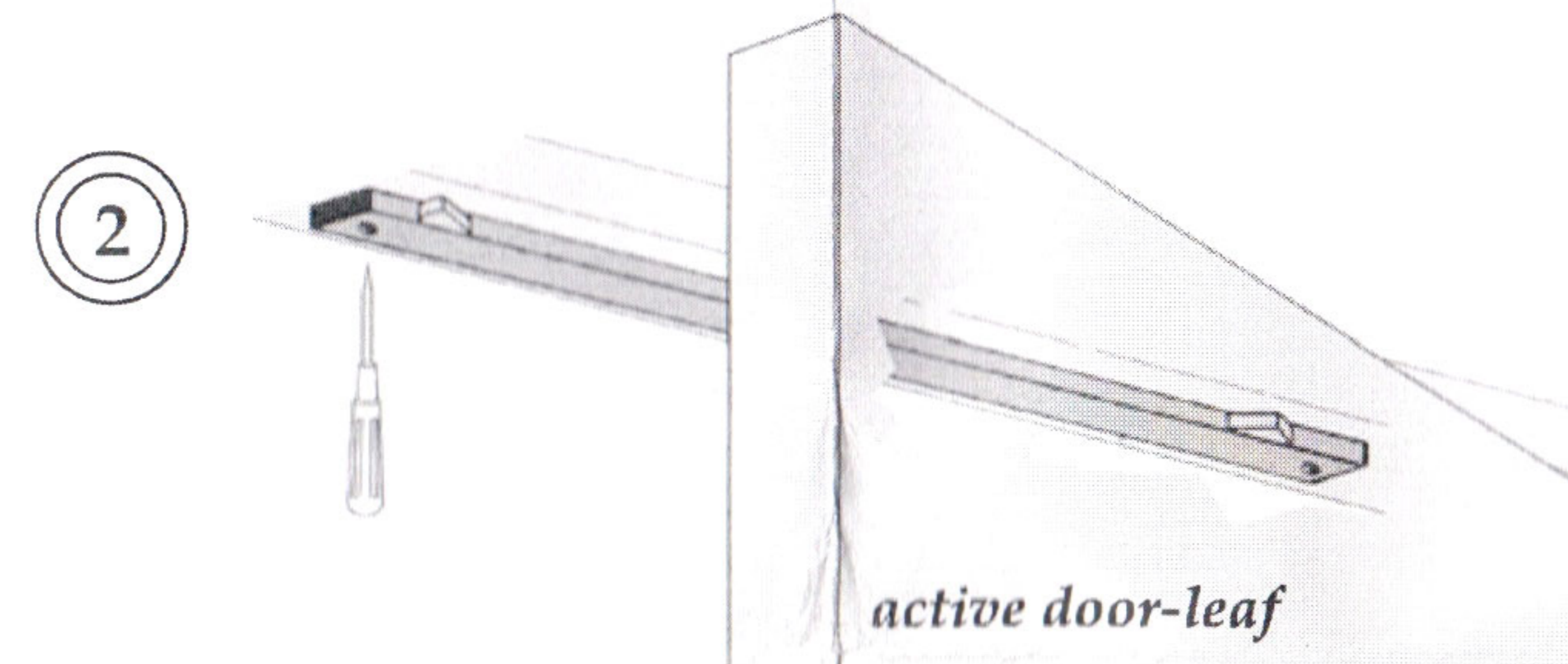
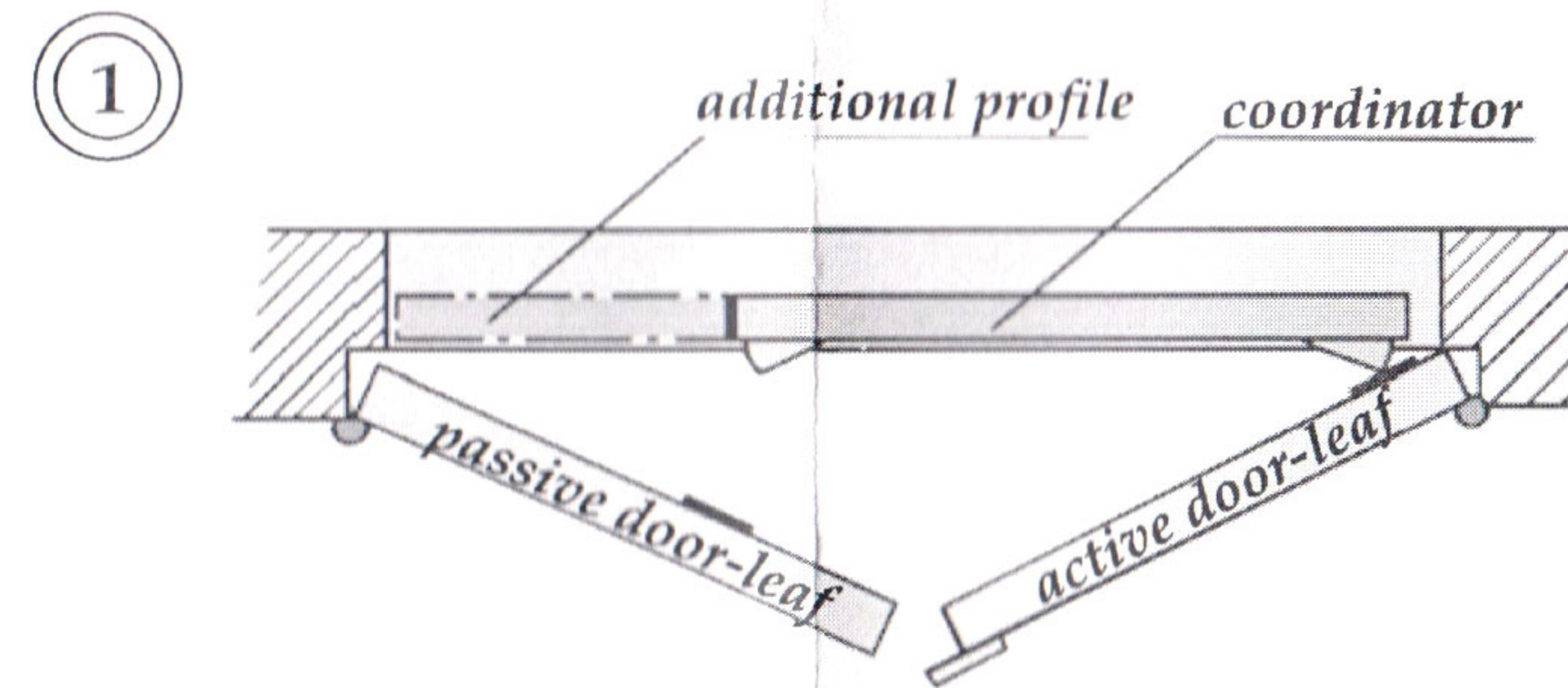
2. Drill holes for fitting (3x). Mount the coordinator.
Tighten the screws. If an additional profile is used, it should be cut to the correct length and mounted

3. Mark the position of the protection plates on both door-leaves, in line with the latches of the coordinator. Drill holes for fitting (2x/plate).
Mount the protection plates. Tighten the screws

4. Check the function of the coordinator

PACKAGE CONTAINS

- Door coordinator VAL30DK-850GR
- Protection plates (2 pcs.)
- Screws for fitting of coordinator (3 pcs.)
- Screws for fitting of protection plates (4 pcs.)



When fitting on the rear side of the top of the frame use an additional profile

